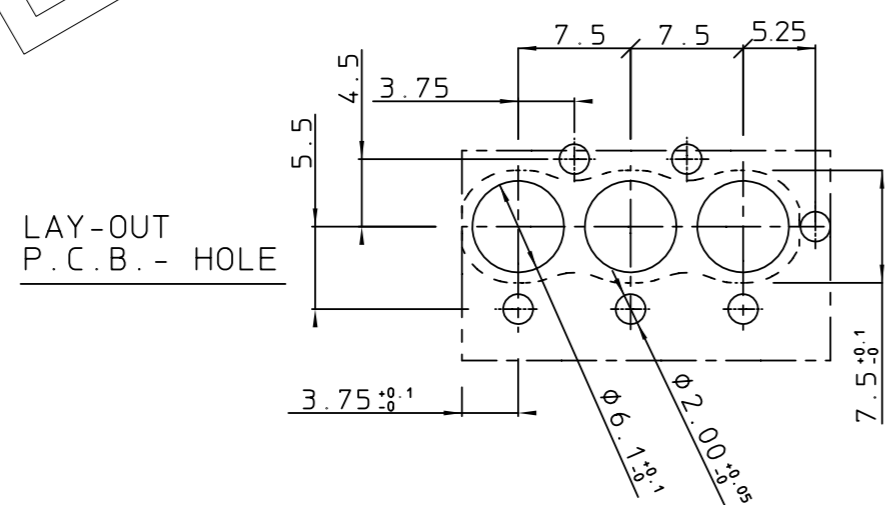
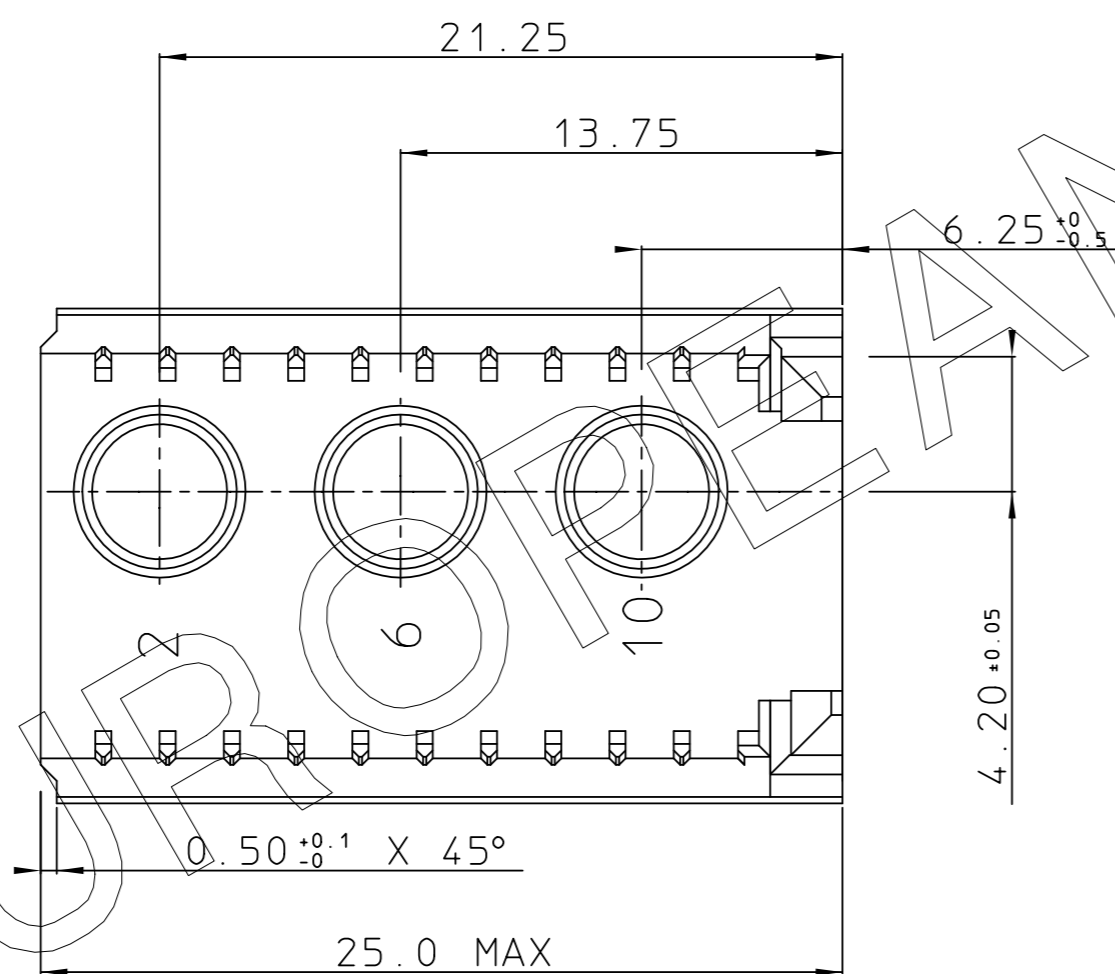
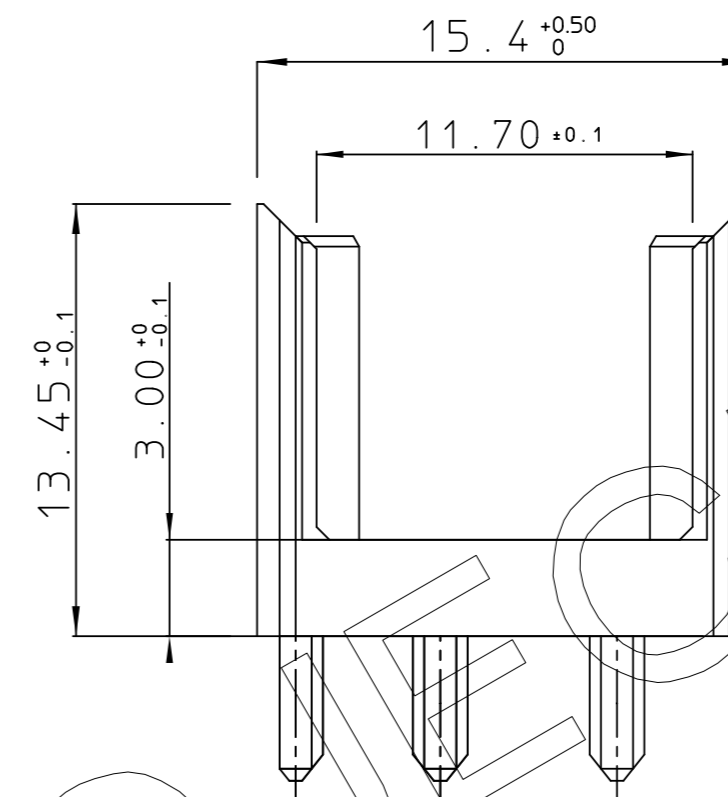
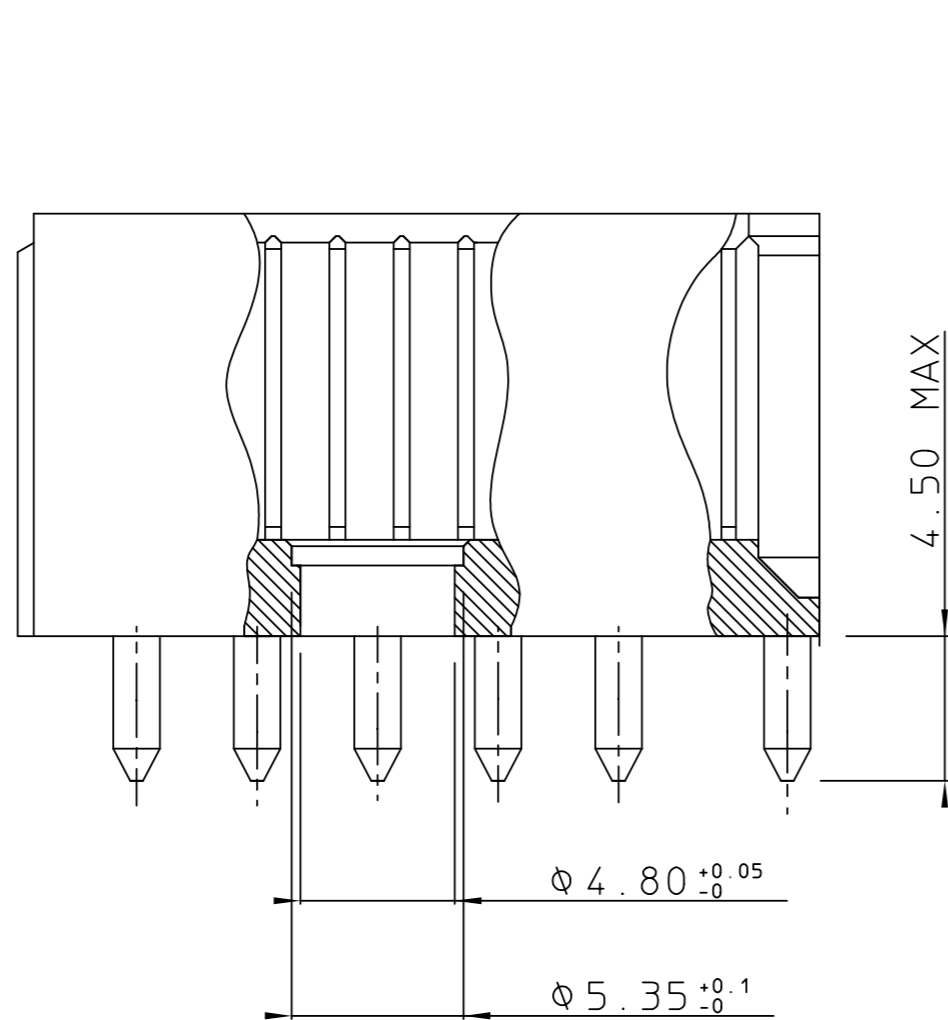


GEN. ST.	01	02	03	04	05	06	07	08	0D	50	60	70	80	90																	
INT. ST.	10	11	12	13	14	18	20	31	32	33	34	38	39	40	42	43	44	45	46	48	56	70	72	73	75	76	81	82	83	84	88

REV.	DATE	DESCRIPTION	BY	C'K'D'
A	14-09-01	CONVERSION REVISION 05	KN	
05	05.06.01	BEC 9.3525	R.M.	



NOTES

1. THIS PRODUCT IS CSA APPROVED.
2. THIS PRODUCT IS UL RECOGNIZED.

MALE BODY FOR 3 SPECIAL CONTACTS (WIDE VERSION)				MILLIPACS 2 / TYPE N		
1DEC ±0,2 1DEC 2DEC ±0,1 2DEC ANGLES ±1° HOEKEN		<b>APPR.</b>	<b>DATE</b>	<b>SIGN.</b>	<b>CAT. No.</b> HM2P12P1	
WE RESERVE THE RIGHT TO CHANGE DIMENSIONS OR REQUIREMENTS WITHOUT PRIOR NOTICE.		DRAFT	250893	W.Panis	FCI MECHELEN N.V. A. SPINOYSTRAAAT 8, 2800 MECHELEN	
ALL DIMENSIONS IN MM		CHECKED				SCALE
ALLE AFMETINGEN IN MM		PROD. MGR.				3 / 1
REFERENCES / REFERENTIES				BS,C ,201632,006 DRAWING No. CUSTOMER DRAWING REVISION		

THIS IS OUR EXCLUSIVE PROPERTY. IT IS NOT TO BE COPIED, REPRINTED OR DISCLOSED TO A THIRD PARTY, NOR USED FOR MANUFACTURING WITHOUT OUR WRITTEN CONSENT, AND HAS TO BE RETURNED TO US IN CASE OF NO USAGE

DIT IS ONZE EIGENDOM EN MAG NOCH NAGEMAAKT, HERDRUKT, OVERGEMAAKT AAN DERDEN, NOCH VOOR FABRIKATIE GEBRUIKT WORDEN, ZONDER ONZE SCHRIFTELIJKE TOELATING. BIJ NIET GEBRUIK IS TERUGZENDING VERPLICHT.